



OUR CHURCH LIFE

Unitarian Universalist Church of the Hill Country Newsletter

March 2019



You're Gonna Want a Bigger Bowl!

Chili Cook-Off
Saturday, March 9

Wilma Palmer Annex
964 Barnett

There are two ways to participate in this event planned and organized by the church Activities & Events Committee:

Compete and/or Consume!

Chili Cook off COMPETITION Guidelines:

1. Competition is open to members and friends of UU Church of the Hill Country, UU Fellowship, Jewish Community of the Hill Country and PFLAG.
2. Entry fee is \$1 per entry. Entry forms are on the table to the rear of the church sanctuary. Form(s) and fee(s) must be turned in to Judy Ashcraft or Selma Gibson at UUHC by Sunday, March 3.
3. Competitors must present Chili in a crockpot by 11am at the Annex back door on Saturday, March 9. If you don't have a crockpot, please borrow one because all chili must be kept hot.
4. Once judging starts, late entries will not be accepted. Judging will occur behind closed doors between 11am and 11:30am.
5. A list of ingredients must be posted with your chili as well as its spiciness (mild, medium, hot, super-hot). Please create a chili ingredient sign which does not give your identity away (ingredients only, not recipe). Numbers will be assigned to each pot as it arrives.
6. Keep your identity a secret until after all judging is completed. Making your identity known is an automatic disqualification.
7. Judging will be performed by a 3 person panel. Panel judges will remain a secret. Judges will be introduced, after judging, at the awards announcement.

8. Five (5) awards will be given: Texas Chili (Meat Only), Best Vegetarian, Best Meat & Bean, Only Lava is Hotter, and People's Choice (by ballot). Participation ribbons will be given to all.

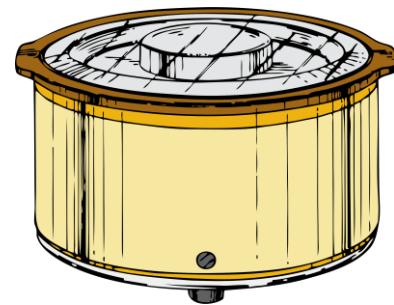
CONSUME - People's Choice - Doors open 11:45 pm
Entertainment will be provided in the Sanctuary for contestants and folks who wish to come early.

How does it work?

1. Get a ballot slip. There will be spoons at every pot for tasting and voting. Write the number on the ballot slip and put in the ballot 'Box'. (Throw away the spoon after each tasting.)
2. Decide which chili you like best and Buy a Bowl - \$5. Then go back and get another bowl - \$5.

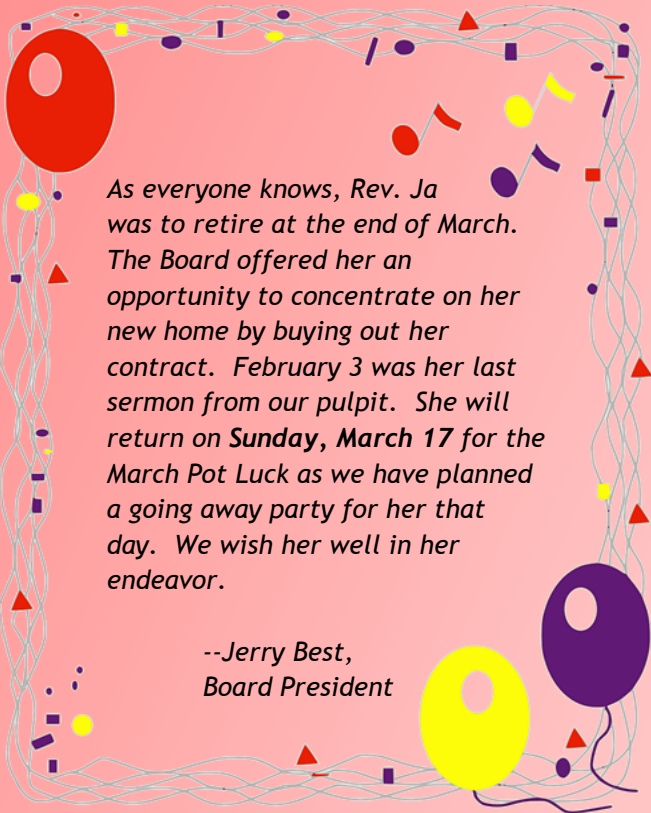
The Ballot Box closes at 12:45pm and awards presented at 1pm. Remaining chili will be put into containers and auctioned.

All funds raised will help fund renovations to the Sunday school playground & equipment.



Unitarian Universalist Church of the Hill Country
960 Barnett Street
Kerrville, TX 78028-4667
830.792-3626

www.uuchc.org
Email: churchofthehillcountry@uuchc.org
Check out our Facebook page



As everyone knows, Rev. Ja was to retire at the end of March. The Board offered her an opportunity to concentrate on her new home by buying out her contract. February 3 was her last sermon from our pulpit. She will return on **Sunday, March 17** for the March Pot Luck as we have planned a going away party for her that day. We wish her well in her endeavor.

--Jerry Best,
Board President



**"Saturday Night at the Movies"
Saturday, March 23 - 6:30pm
Wilma Palmer Annex**

"The Lunchbox" (2013 - PG - 1hr 45m)

FREE movie night includes refreshments (a lunchbox type meal will be provided - please RSVP to Judy Ashcraft), prelude ("Grace & Frankie" adult sitcom shown at 6:15pm), movie, and church members, friends and guests are invited. Participants are urged to bring their favorite **non-alcoholic beverage** and snack for themselves or to share. Free popcorn is provided. Doors open at 6pm.

Movie Description: When Mumbai's eerily reliable lunchbox delivery service erroneously sends a meal prepared by a young housewife to a lonely widower on the brink of retirement, the mistake ignites an exchange of notes and mutual fantasy between them. Cast: Irrfan Khan, Nimrat Kaur, Nawazuddin Siddiqui, Denzil Smith, Bharati Achrekar, Nakul Vaid, Yashvi Puneet Nagar, Lillete Dubey Director: Ritesh Batra



March Chalice Table Décor

Thank you to the following members for decorating the chalice table on these Sundays:

- 3 - Jim McMahon**
- 10 - Frances Osborne**
- 17 - Curtis Overstreet**
- 24 - Andy Pesez**
- 31 - Donna Schloss**

*For more information about Chalice Table décor, please contact Pat Kobe 830.367-3142/
kobepat313@gmail.com.*

"Our Church Life" - More Material on Sunday Services in Chronological Date Order...

3 Bill Blackburn, mayor of Kerrville. Blackburn is a graduate of Baylor University, seminaries in Fort Worth and Louisville, and did postdoctoral study at Oxford University in England. Bill pastored churches in Kentucky and Kerrville and founded "Partners in Ministry" to put collaborations together to address the needs of children, youth, and those in poverty in Kerr County. He currently serves as the Mayor of Kerrville.

17 Rev. Peter E. Bauer. Bauer is a social worker, minister, preacher, teacher, mental health clinician, and social activist who has committed his life to providing emotional, psychological, and spiritual care to military service members, veterans, and their families. In addition to his military career, Bauer makes presentations and contributes articles regularly to the Huffington Post on "moral injury" and a wide range of other policies. Currently, he works for the South Texas Veterans Health Care System in San Antonio, Texas, as a part-time lecturer in the Department of Social Work, University of Texas at San Antonio (UTSA) and as a consultant a number of different military and civilian organizations.

31 Katie Gaines. Gaines is a volunteer and secular atheist activist in San Antonio. She began her service with the Freethinkers Association of Central Texas in August of 2014 as a Member-at-Large and Volunteer Coordinator and is now serving her second term as president.



March 2019 Unitarian Universalist Church of the Hill Country Calendar

Updates & Revisions to this calendar may be found on the Weekly Calendar Update which is emailed on most Thursdays.

Sunday	Monday	Tuesday	Wednesday	Thursday	Friday	Saturday
PA: Wilma Palmer Annex (964 Barnett) CS: Church Sanctuary All listed meetings are open and all are welcomed. Church Friends may serve on committees. Sunday church services are held at 10am in the Church Sanctuary. Child care & Sunday School is held at 10am in the adjacent Wilma Palmer Annex (964 Barnett Street).						
						1 Men's Fellowship Lunch: 11:30am - PA① Activities & Events Committee meeting: 1pm - Cover Floors (1204 Sidney Baker South-Kerrville) Contact- Judy Ashcraft 210.326-0084/ whodit@hotmail.com
3 Service: Mayor Bill Blackburn - Topic: "Many Facets of Poerty in Kerrville & Kerr County" - see page 2	4	5 	6 Committee Chair Council meeting: 5:30pm - PA Ash Wednesday	7	8 "Star Party" at Schreiner University: 7pm - Loftis Observatory (2100 East Main - Kerrville) - see page 5	9 Chili Cook Off fund raiser - see page 1
10 CAM Sunday ② Service: Frances Osborne, church member - Topic: "UU Paganism" Daylight Savings Time Begins (Spring Ahead)	11 PFLAG meeting: 7pm-8:30pm - PA (see page 5). Contact Curtis Overstreet 210.262-8859/ deadeye1961@gmail.com	12 Girl's Night Out 5:30pm - Lake House restaurant (1655 Junction Hwy)	13 Board Meeting: 6:30pm - PA - All are welcomed.	14	15 Men's Fellowship Lunch: 11:30am - PA①	16
17 Hill Country Crisis Council ③ Service: Rev. Peter Bauer - Sermon: What is the Flourishing of Life? - see page 2 St. Patrick's Day Rev. Ja's retirement party - see page 2 Pot Luck Dinner after the Service - PA	18 Last day to submit articles for next month's newsletter - communication@uuchc.org	19	20 First Day of Spring 	21 - see page 6	22	23 "Saturday Night at 964 Barnett" - Game Night - see page 1
24 CAM Sunday ② Service: Karen Kilgore - Topic: "5 Strong Women" (Information forthcoming in Weekly Calendar Update)	25	26 Girl's Night Out 5:30pm - Acapulco (1718 Sidney Baker)	27	28 Activities & Events Committee meeting: 1pm - Cover Floors (1204 Sidney Baker South-Kerrville) Contact- Judy Ashcraft 210.326-0084/ whodit@hotmail.com	29	30
31 Service: Katie Gaines - Freethinkers Club of Boerne - Topic: "Who are we? What we do? Why we do it?" - see page 2 5th Sunday "Donate the Plate" program	① There will be news, views, and thought provoking discussion. Guys bring your sandwich or gourmet repast as you wish. Contact: Steve Galland 830.634-7668/sgalland143@gmail.com ② CAM (Christian Assistance Ministry) Sundays are held on the 2nd and 4th Sundays. On the 2nd Sunday, the collection focuses on food and the 4th Sunday; on personal/cleaning items. Contact Susan Lipp 619.248-0669/ susan@lipphealth.com ③ Hill Country Crisis Center Sundays are held on 3rd Sundays, monthly with a focus on paper products: toilet and facial tissue, paper towels, women's sanitary products, plus large bottles of baby shampoo. Contact Carolyn Dreyer 830.496-3094/ brightredmimi@gmail.com					



Getting To Know Us 🎵

**Ellen Bateman Cameron
Roxzlaen Frances 'Cisco' Geohegan Cameron
New members as of January 6**

Ellen was born in Colorado City, Arizona and remained there until one week after graduating high school in order to attend college in South Carolina. Her parents were both teachers and her father continues to be.

She married to "Cisco" Cameron on May 20, 2011. Cisco is also a member of the church and will be introduced later in this column.

Ellen was raised in a Fundamentalist Mormon community. Her mother was her father's second wife in a polygamist relationship. Her father, mother Eunice (her father's first wife), and her mother left the church in the late 1990s. Her mother left the family when Ellen was ten years old. Ellen has 17 brothers and sisters.

Her father worked for the public school in Colorado City after the church pulled all of its members out to be homeschooled. After leaving the church, her father taught the remaining family to be "scientists" and referred to them as atheists. She grew up without much of a sense of family, community or faith/ religion, but possesses a huge appreciation for the land, learning and hard work. In college she realizes she felt agnostic.

After serving six long and difficult years in the United States military and then having three beautiful children, Ellen longed for a sense of community and to find a way to heal some of her spiritual distrust. She had spoken to military chaplains and one mentioned Unitarian/Universalism. She found the Unitarian Universalist Church of the Hill Country after a Google search and decided to visit. After attending for a while, finding the church to be welcoming and her children excited about Sundays she explored becoming a member. She has liked the sermons and the sense of being around others who are all different, but combine together to form a church.

She wants to share that as part of a team-building exercises in the past she was identified as having an introverted analytical personality coined as an "advocate". She sees herself as serious, but also as one who knows how healthy a good laugh at oneself can be.

Cisco was born in Houston and reared in Texas, Tennessee, Arkansas, Oklahoma, and Mississippi. His parents have passed away, but he has two older brothers, one older sister, and a younger half-sister. They are not close.

Cisco's father was Baptist, while his mother was Presbyterian, "so the house I grew up in was a bit like living the Orange and the Green". He never cared much for "Hellfire and Damnation" or quotes from the scripture that he feels that when checked are typically taken out of context. As a result, he quietly began exploring other paths beginning around the age of 12 and kept looking into his adulthood.

"I suppose you could say I don't think much of fear-based approaches to spirituality where the end result is people are afraid to live lives worth living," Cisco adds.

As a stay-at-home father for five years he feels that his psychology skills are well honed. When asked about ways he could possibly serve the church, Cisco offered the following: "While neither famous nor traditionally published, I can write and smith a good tale. I can cook without giving people food-poisoning and do a credible job painting." Then there's horticulture, carpentry, landscaping, diaper changing, and navigation among my skills.

He shares that his children need other voices and perspectives different than that of he and wife. He states that it's nice to step away from routine duties while letting their graces learn to explore the world a bit. He doesn't expect most people to agree with him on everything as that certainly as never happened in the past. However, he finds it has been nice to be able to discuss things with others who are open to new behaviors and opinions.

Note from the editor, Susan Lipp: *I hope now that everyone has a glimmer of insight into the lives of these two interesting new members that they will take a minute to get to know them even better.*

March Greeters

Thank you to the following members serving as greeters on the following Sundays:

3 - Mike Burkett & Andy Pesez
 10 - Monte Hensley & Gary Payne
 17 - Marie Brown & Jill Wiggins
 25 - Selma Gibson & Susan Lipp
 31 - Carolyn Dreyer & Jill Wiggins

For more information, contact Gary Payne 830.890-5378/ garyraypayne209@gmail.com

Summary of Wednesday, February 13, 2019 Board Meeting

Present: Board President Jerry Best; Vice President Vicki Luther; Treasurer Judy Bunch; member-at-large Meredith Hensley; Secretary Jill Wiggins; Andy Pesez, Finance; and Judy Ashcraft, Activities and Events.

Financial: Andy reported a net gain in income of about \$1,168 for 2018 and presented the financial report for January, including net income of \$1,100. Treasurer Judy Bunch has a new and better functioning checkbook, which will make record-keeping easier.

Andy has notified committee chairs that they have a \$25/month budget for food and events.

Search Committee: Andy reported that the committee expects to post a congregational record document on the UUA search website around February 20. The full packet is in process.

Meredith presented the consolidated committee report: There was no report from Membership. Activities and Events - Judy A. is making plans for upcoming events: a chili cook-off March 9; movie and game nights (first movie will be March 23); potluck February 17; Circle Suppers fifth Saturdays; farewell for Rev. Ja March 17. The chili cook-off will be a fundraiser for indoor and outdoor play equipment for RE.

Spiritual Development: Guest speakers for the near future are covered. The series "The Long Strange Trip" has been well attended and the series will be followed by "Small Group Ministries."

Action Items: Linda Smith is researching documenting the buyout of Rev. Ja's contract. Jill and Judy Ashcraft are working together on farewell gifts for Rev. Ja.

Old Business: The board tentatively scheduled a retreat for board and committee members for March 30 at the Fellowship. Tentative agenda would include: strategic plan; attracting visitors and prospective members; review where we've been and where we are; review organizational improvements; expectations for the new minister; implications of not having social justice and communications chairs.

Check out full minutes on bulletin board at back of sanctuary or in office book marked "Minutes".
 --Jill Wiggins, Board Secretary



- ⊕ "Star Party" at Schreiner University: 7pm - Loftis Observatory (2100 East Main - Kerrville). This event will occur weather permitting. Contact: Donnie Bunch 830.395-7076/ dbunch@stx.rr.com
- ⊕ PFLAG meetings are now being held in the Wilma Palmer Annex on the second Monday of each month beginning at 7:30pm.
- ⊕ The Open Ministerial Search Committee wants to get everyone's input as it works toward securing a part-time minister for the church. It has become aware that some may not have received the on-line questionnaire emailed in February. If you were affected, please contact Justin Biemer 210.646-4357/ justin.d.biemer@gmail.com
- ⊕ Kerr Konnect needs volunteers to serve as drivers or office support staff. If you have a few hours to spare contact Mike or Karen Burkett 817.234-6856/ m.k.burkett@att.net

March Service Associates

Thank you to~

3 - Linda Smith
 10 - Curtis Overstreet
 17 - Justin Biemer
 24 - Donna Schloss
 31 - Carolyn Dreyer



**March Sunday
Coffee Hour
Church Treats
brought to you by...**

**3 - Julie Davis
10 - Mike & Karen Burkett
17 - Frances Osborne
24 - Susan Lipp
31 - March Happy Birthday Cake**

**Thanks for the Yummies
for our tummies!**



UBarU Camp & Retreat Center

UBarU is the only Unitarian Universalist camp and retreat center in the central United States south of Minnesota and is just twenty miles west of Kerrville. To register for the following events go to www.ubaru.org under the "events" tab:

- ☉ March 1 - 3 Astronomy Weekend
- ☉ March 22 - 24 Men's' Retreat
- ☉ March 29 - 31 Women's' Retreat
- ☉ May 24 - 27 Family Camp
- ☉ June 9 - 29 Summer Youth Camps
- ☉ July 28 - August 3 Sky & Earth Youth
Science Camp



Making Lunch for the Crew Thursday, March 21 ★ 11:30am ★ Palmer Annex

Judy Ashcraft is the March coordinator and is looking for assistance in preparing or buying a part of the meal (entrée, salad or vegetable, dessert) and making sure it is delivered to the Habitat for Humanity office at 121 McGinnis Court. As a lunch sponsor for the local Habitat for Humanity organization, the church provides a hot lunch for between 6-15 hardworking volunteer contractors and the families who are buying these homes. Lunch is provided on the third Thursday of the month through June 2019.

PLEASE choose a month to help in 2019:

April 18 May 16 June 20

Contact Judy Ashcraft (830) 896-8319/ whodit@hotmail.com with your choice or sign up on the list located on back table at the rear of the church sanctuary.



Unitarian Universalist Church of the Hill Country Board Members for 2019

President ~ Jerry Best
210-633-7553/ bestjerry@hotmail.com
Vice President ~ Vicki Luther
830.496-3205/ vbluther@twc.com
Secretary - Jill Wiggins
512.965-9947/ jillyrosemary@gmail.com
Treasurer ~ Judy Bunch
830.459-8509/ dbunch@stx.rr.com
Minister ~ Reverend Ja Rickard
262.237-0634/ minister@uuchc.org
Member at Large - Meredith Hensley
830-522-0802/ pmeredithc@yahoo.com

Sunday Services: Donna Schloss, Vicki Luther & Linda Smith

Wayside Pulpit, Coffee Set-Up, Music/Choir, Greeters,
Order of Service, Chalice Table, Service Schedule/Associates

Spiritual Development Chair: Vicki Luther
Life Span Development (Adult and Children's Religious
Education), Free Speech Cafe, Forums

Membership Chair: Gary Payne
Congregational Care, Visitor Follow-Up, Exit Interviews,
New Member Orientation, Emergency Phone Tree,
Members/Friends List

Outreach/Social Justice Committee Chair: Position Open

CAM, La Casa de Raíces, TXUUJM, PFLAG,
Hill Country Crisis Center, Habitat for Humanity, Transportation
Planning Council, Texas IMPACT

Finance Committee Chair: Andy Pesez
Stewardship, Budget, Building/Grounds
Financial Management & Reports

Activities/Events Chair: Judy Ashcraft
Special Social Events, Recurring Events, Building Usage

Communications Chair: Position Open
communication@uuchc.org
Electronic Media (Facebook & web site): Amanda Biemer
Newsletter/Weekly Calendar Update: Susan Lipp